



Step-by-step installation instructions:

1. Ensure the aperture is free from dust and debris.

Unexposed side:

2. Apply AGNI-Seal to the annular gap between the service and plywood to the full depth and finish flush with the plywood's face.

Exposed side:

Two installation options:

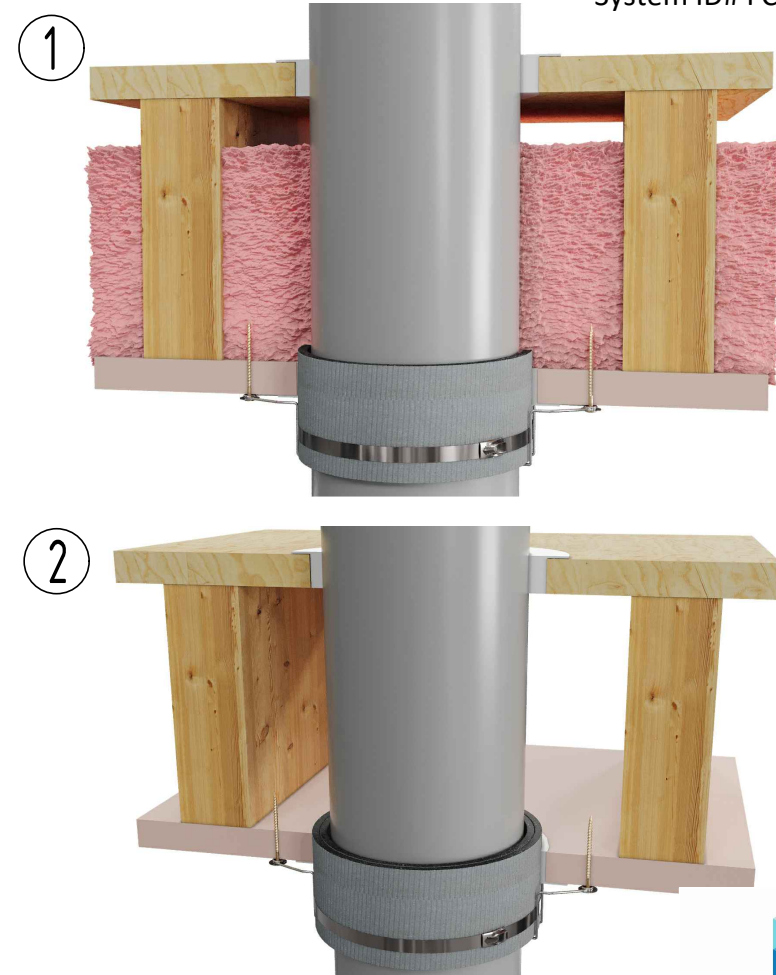
3. Make two revolutions of AGNI-Wrap 50 around the pipe and insert 25mm of the wrap into the aperture, leaving another 25mm of the wrap below the lining.

4. Or make one revolution of AGNI-Wrap 50 around the pipe, inserting 25mm of the wrap into the aperture, leaving another 25 mm of the wrap below the lining. In this case, you have to add 90mm glass wool insulation for additional protection.

5. Secure the one or two revolutions of AGNI-Wrap 50 with AGNI-Strap at the centre of the exposed wrap.

6. Use two AGNI-Clips to secure these AGNI-Wrap 50 layer(s) to the lining.

7. Apply a bead of AGNI-Seal between the lining and the wrap.



Technical Information

Substrate	<ul style="list-style-type: none"> Fire-rated plasterboard ceiling (one layer of 16mm)
Service range	DN 100mm PVC-U pipe
Annular gap	1mm - 9mm
AGNI-Products	AGNI-Seal, AGNI-Wrap 50, AGNI-Strap, AGNI-Clips
Protection installation	Asymmetrical

Compliance Information

Standards	AS1530.4-2014, AS4072.1-2005
FRR/FRL	-/60/60
Reference	RIRF24080 (AP-089)



Agnitek
FIRE RATED TECHNOLOGY

8 Clare St Bayswater
VIC 3153, AUSTRALIA
www.agnitek.com.au

Date | 30.08.2024

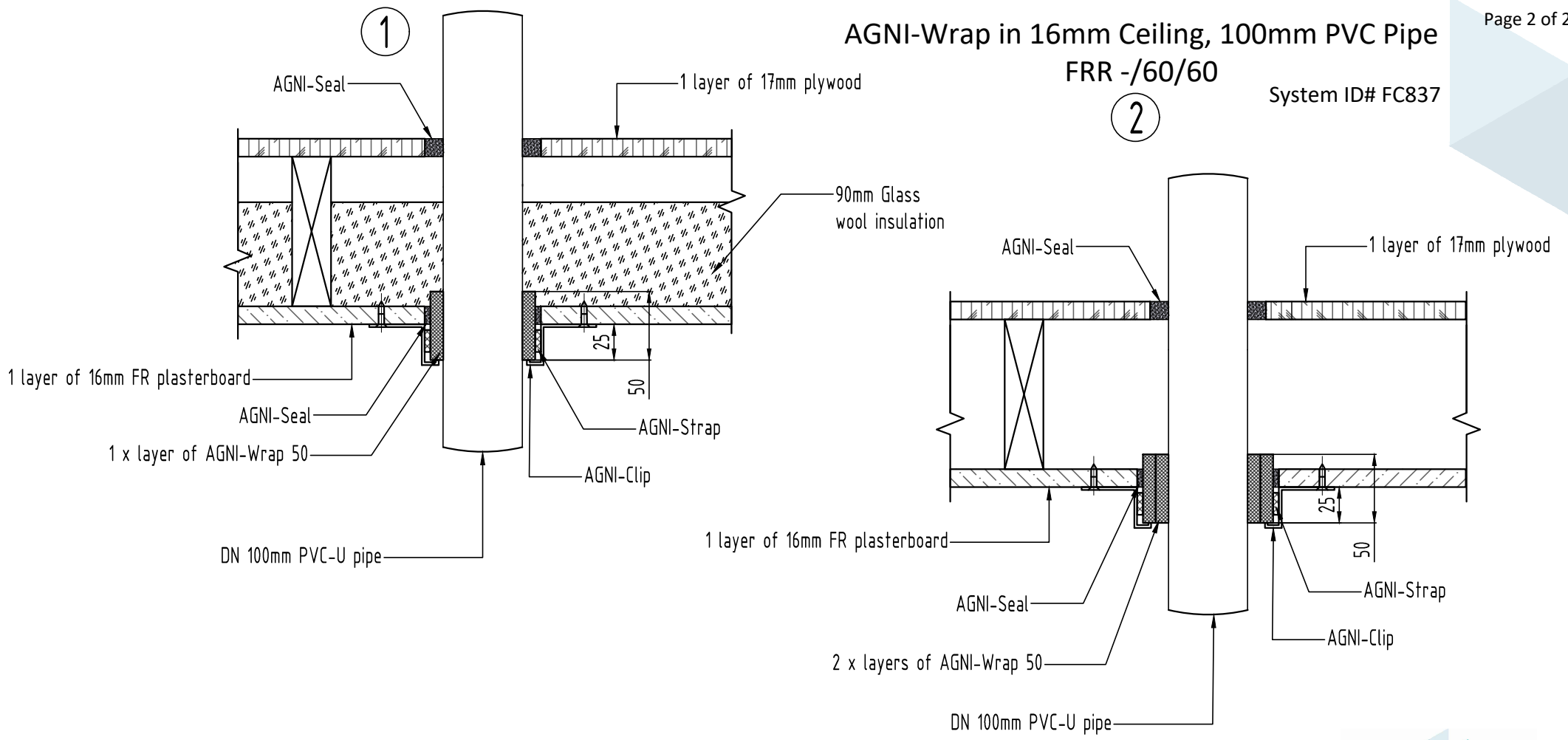
AGNI-Wrap in 16mm Ceiling, 100mm PVC Pipe

FRR -/60/60

System ID# FC837

1

2



Technical Information

Substrate	<ul style="list-style-type: none"> Fire-rated plasterboard ceiling (one layer of 16mm)
Service range	DN 100mm PVC-U pipe
Annular gap	1mm - 9mm
AGNI-Products	AGNI-Seal, AGNI-Wrap 50, AGNI-Strap, AGNI-Clips
Protection installation	Asymmetrical

Compliance Information

Standards	AS1530.4-2014, AS4072.1-2005
FRR/FRL	-/60/60
Reference	PF24080



Agnitek
FIRE RATED TECHNOLOGY

8 Clare St Bayswater
VIC 3153, AUSTRALIA
www.agnitek.com.au

Disclaimer
Agnitek reserves the right to modify product specifications without prior notice due to its ongoing research, development & certification programme. The information in this document is provided in good faith and is intended for guidance purposes only. Any accompanying drawings are solely for illustrative purposes. Since Agnitek cannot oversee installation methods or ensure site conditions, no warranties, expressed or implied, are intended regarding the products' actual performance. We do not accept liability for any loss, damage, or injury from using this information. Please take a look at the test reports displayed on a relevant AGNI-System webpage for all compliance specifics.

Date | 30.08.2024